

# Packaging - Specification

## ECOBULK

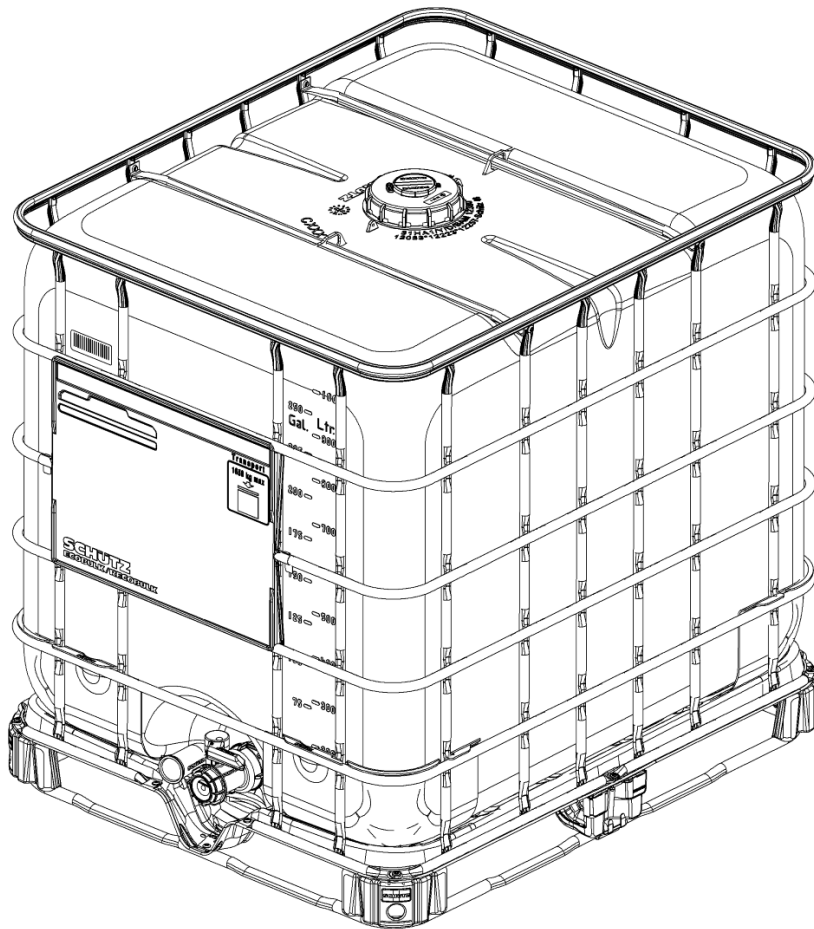
# SCHÜTZ

Transportcontainer ECOBULK 1000 ltr.  
MX1000 UN Nat/150R TP 2"Vent  
Bfly 50 00 Met 3PCA/Steel frame  
2-Pit LG:LG/TI

SCHÜTZ Australia Pty Ltd.  
Industrial Packaging  
PO Box 278  
LAVERTON NORTH VIC 3025

**Article-No.** 1297635

**Date** Dec 3, 2019  
**Page** 1 / 4



This picture is for illustration purpose only and does not necessarily correspond to the specified product.

### Weights and measures

Nominal Capacity	1.000 l	275 gal US
Brimful Capacity	1.060 l	280.027 gal US
Length	1,200 mm	47.240 in
Width	1,000 mm	39.370 in
Height with pallet	1,160 mm	45.670 in
Total weight approx.	55.470 kg	122.291 lbs US

### Pallet

Pallet type	Steel-framepallet, zined
Opening height	min. 90mm, 4-way entry

# Packaging - Specification

## ECOBULK



Transportcontainer ECOBULK 1000 ltr.  
 MX1000 UN Nat/150R TP 2"Vent  
 Bfly 50 00 Met 3PCA/Steel frame  
 2-Plt LG:LG/TI

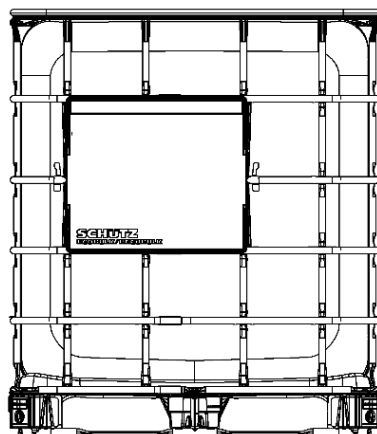
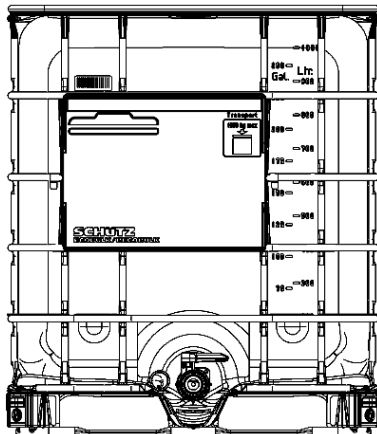
SCHÜTZ Australia Pty Ltd.  
 Industrial Packaging  
 PO Box 278  
 LAVERTON NORTH VIC 3025

**Article-No.** 1297635

Date Dec 3, 2019  
 Page 2 / 4

### Outer container

Grid	Steel, galvanized
Bottom plate	Steel, galvanized
Corner protector	black
Label plate	large - 6 field, with Schütz-Ticket
additional label plate	back side - standard



### Inner container

Rectangular blow molded tank of high density polyethylene  
 Container PE-HD, natural

### Filling opening

Screw cap	DN150 / 6", PE-HD, red
O-ring gasket	TPE
Sealing-cap	red



# Packaging - Specification ECOBULK

# SCHÜTZ

Transportcontainer ECOBULK 1000 ltr.  
MX1000 UN Nat/150R TP 2"Vent  
Bfly 50 00 Met 3PCA/Steel frame  
2-Plt LG:LG/TI

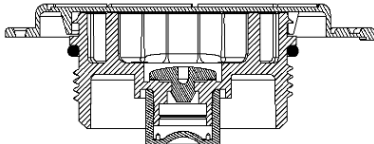
SCHÜTZ Australia Pty Ltd.  
Industrial Packaging  
PO Box 278  
LAVERTON NORTH VIC 3025

**Article-No.** 1297635

Date Dec 3, 2019  
Page 3 / 4

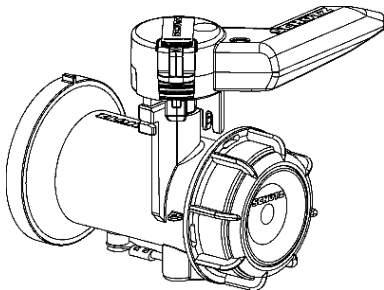
Plug

G2"plug w/vent (Silicone)



## Discharge opening

Outlet valve	integr.butterfly-valve DN50/2"
Case	PE-HD
Connection thread	metric
Flap gasket / Ball gasket	PP
Handle color	blue, Handle protection
Screw cap	PE-HD
Screw cap gasket	PE, foamed
Screw cap color	black
Outlet nozzle	PE-HD



## Features

### UN-Marking

UN\_31HA1/Y/MM YY/L/SNCH/17B001/SCHÜTZ#/4056/2037/1060L/55KG/100KPA

### Heavy metals

Concentration level of heavy metals (Pb, Cd, Cr VI and Hg) in packaging does not exceed 100 ppm

### Delivery

Ready for filling. The customer or filler is responsible for testing the material compatibility of the filling material with the packaging

### User information:

By implementing and continually improving extensive preventive programmes, SCHÜTZ strives towards minimising the potential contamination risk for filling material in line with the current state of the art and in accordance with recognised and applicable quality and system standards. In industrial manufacturing, however, the possibility of particles arising cannot be fundamentally and entirely eliminated. Specifically for plastic and steel packaging, unavoidable friction during opening and closing as well as static charging of the packaging contribute to the development of particles and/or the possibility of particles being attracted. Such particles can then also invariably penetrate the packaging interior. With the goal of minimising the risk of particle formation and transmission into packaging, users are recommended – particularly during further processing – to keep packaging closed wherever possible and to keep the number of opening and closing procedures as low as possible. In the case of sensitive filling materials or filling material applications (e.g. for food/pharmaceutical products, paint or electro-chemicals), it is also recommended that the filling material is filtered on removal or prior to further processing.

Packaging - Specification  
ECOBULK



Transportcontainer ECOBULK 1000 ltr.  
MX1000 UN Nat/150R TP 2"Vent  
Bfly 50 00 Met 3PCA/Steel frame  
2-Plt LG:LG/TI

SCHÜTZ Australia Pty Ltd.  
Industrial Packaging  
PO Box 278  
LAVERTON NORTH VIC 3025

**Article-No.**                    **1297635**

Date                    Dec 3, 2019  
Page 4 / 4

SCHÜTZ reserves the right to change the construction, technology, design and material of the product or individual components without notice. The dimensions and weights given here are approximate and can vary according to the configuration of the individual components. For other product details and operating information concerning the correct handling of our packaging, please consult our Handling Guide.